

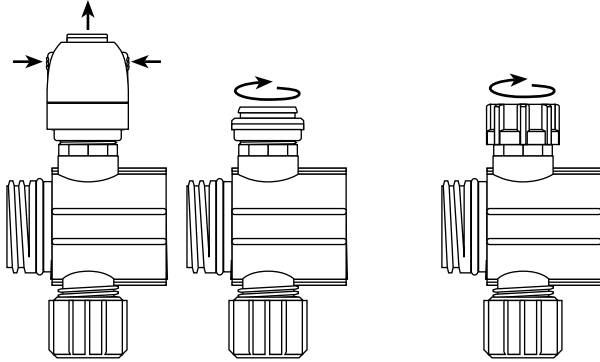
# Instructions for Replacement

## TwistSeal® Shut-off Module

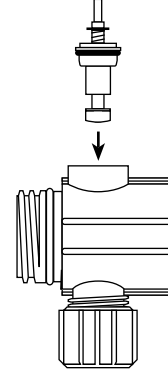
### #78411/78221 Valve Insert Replacement Instructions

**Note:** Ensure the manifold has been isolated from the system before proceeding.

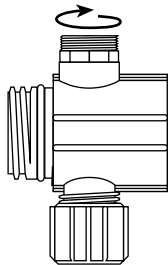
1. Remove the actuator or shut-off cap.



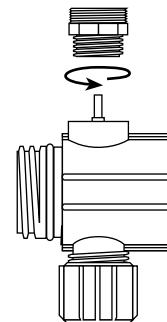
4. Insert the new shut-off shaft assembly.



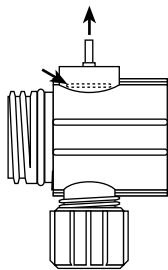
2. Use a #79922 multi-purpose wrench (or 30 mm wrench; do not apply wrench on threads) to unscrew the shut-off shaft retainer nut, being careful not to damage the threads.



5. Hand tighten the shut-off shaft retainer nut. Tighten  $\frac{1}{8}$  turn using a #79922 multi-purpose wrench (or 30 mm wrench), being careful not to damage the threads. **Do not overtighten!**



3. Use an adjustable wrench to remove the shut-off shaft assembly and o-ring.



6. Reattach the actuator or shut-off cap.

