

Instructions for installation

Thermostatic Head

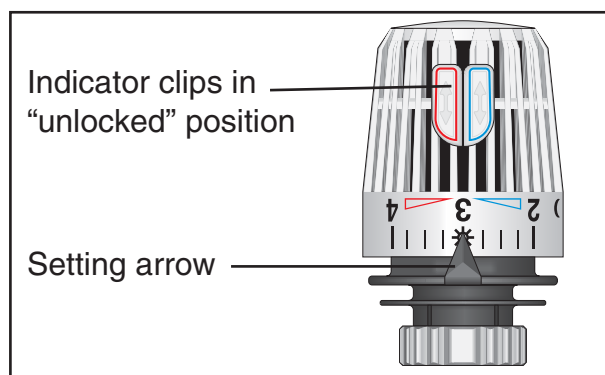
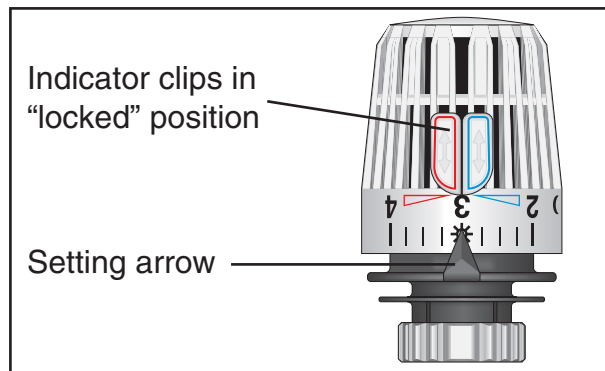
Installation Guidelines

Hand tighten thermostatic head onto zone valve.

NOTE: Do NOT use any tools when installing the thermostatic head onto the zone valve! **Hand tighten only!**

Setting Thermostatic Head

- 1) Unlock the indicator clips by pushing them up with your thumb.
- 2) Lift locking clips out of the head, then reinsert them in the appropriate slots.
- 3) To lock the indicator clips (creating a minimum and maximum temperature limit), push the clip down with your thumb. Ensure that the setting arrow is between the indicator clips. The setting arrow can no longer be moved past the indicator clip once it is in the locked position.
- 4) Align setting arrow with desired control setting (see table below).



Control Settings

Setting	Room Temperature		Room
	(°F)	(°C)	
2	61°	16°	Rec. room, Bedroom
2-3	64°	18°	Kitchen, Hallway
3	68°	20°	Living room, Dining room,
3-4	71°	22°	Children's room, Family room, etc.
4	75°	24°	Bathroom
5	82	28°	Pool room