



1-1/4" SS Manifolds w/Flow Meters

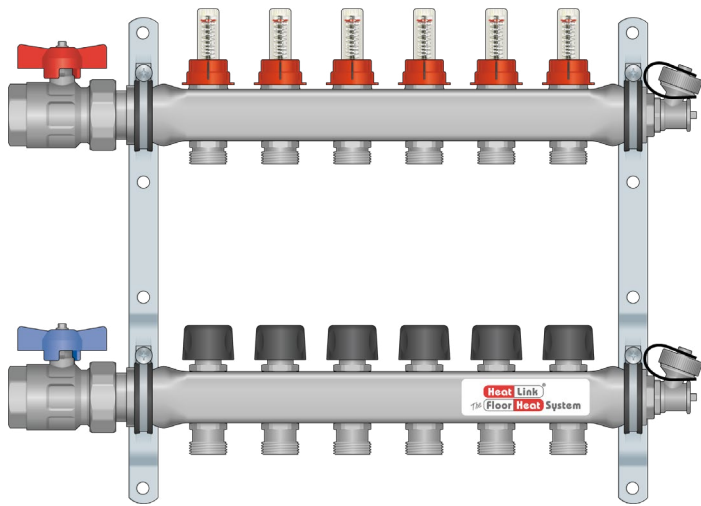
76100 vs 75100 Series Comparison

Common Features:

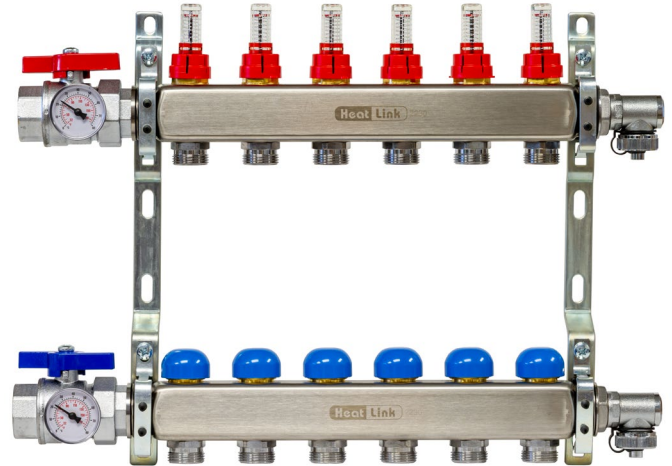
- Preassembled configurations from 2 to 12 loops.
- Integrated 1" FNPT isolation valves and hose bibs.
- Zone valve return with manual shut-off; accepts optional 56201, 56231, or 56121 actuators.
- Balancing supply with flow meter.
- Maximum trunk flow rate: 18 US gpm (4.1 m³/h)
- Maximum operating pressure: 87 psi (6 bar)

Typical Applications:

- Residential.
- Small commercial.



76106 - 6 loop model



75106 - 6 loop model

Specification	Old 76100 Series	New 75100 Series
Maximum circuit flow rate	1.5 US gpm (0.34 m ³ /h)	2 US gpm (0.45 m³/h)
Flow meter range	0-1.5 US gpm (0-5 L/min)	0-2 US gpm (0-7.5 L/min)
Thermometers	Not included	Included
Hose bib thread	3/4" MNPT	3/4" GHT

Old Stk#	Old Description	New Stk#	New Description
76102	2 Loop 1-1/4" SS Manifold with Flow Meters	75102	2 Loop 1-1/4" SS Manifold with Flow Meters
76103	3 Loop 1-1/4" SS Manifold with Flow Meters	75103	3 Loop 1-1/4" SS Manifold with Flow Meters
76104	4 Loop 1-1/4" SS Manifold with Flow Meters	75104	4 Loop 1-1/4" SS Manifold with Flow Meters
76105	5 Loop 1-1/4" SS Manifold with Flow Meters	75105	5 Loop 1-1/4" SS Manifold with Flow Meters
76106	6 Loop 1-1/4" SS Manifold with Flow Meters	75106	6 Loop 1-1/4" SS Manifold with Flow Meters
76107	7 Loop 1-1/4" SS Manifold with Flow Meters	75107	7 Loop 1-1/4" SS Manifold with Flow Meters
76108	8 Loop 1-1/4" SS Manifold with Flow Meters	75108	8 Loop 1-1/4" SS Manifold with Flow Meters
76109	9 Loop 1-1/4" SS Manifold with Flow Meters	75109	9 Loop 1-1/4" SS Manifold with Flow Meters
76110	10 Loop 1-1/4" SS Manifold with Flow Meters	75110	10 Loop 1-1/4" SS Manifold with Flow Meters
76111	11 Loop 1-1/4" SS Manifold with Flow Meters	75111	11 Loop 1-1/4" SS Manifold with Flow Meters
76112	12 Loop 1-1/4" SS Manifold with Flow Meters	75112	12 Loop 1-1/4" SS Manifold with Flow Meters



1-1/4" High Flow SS Manifolds

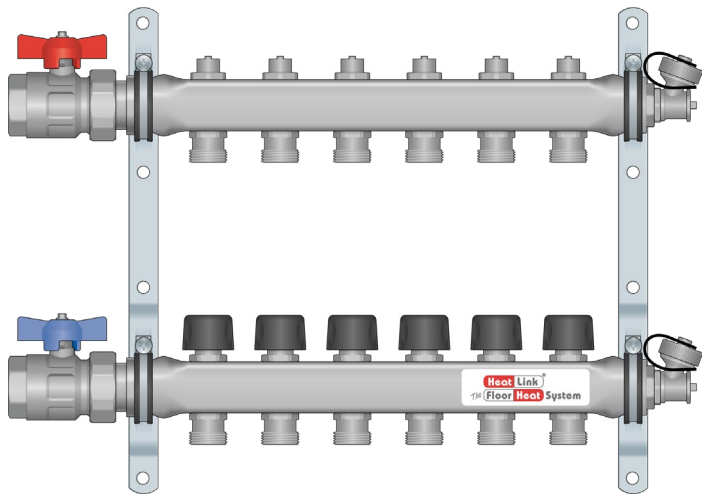
76200 vs 75200 Series Comparison

Common Features:

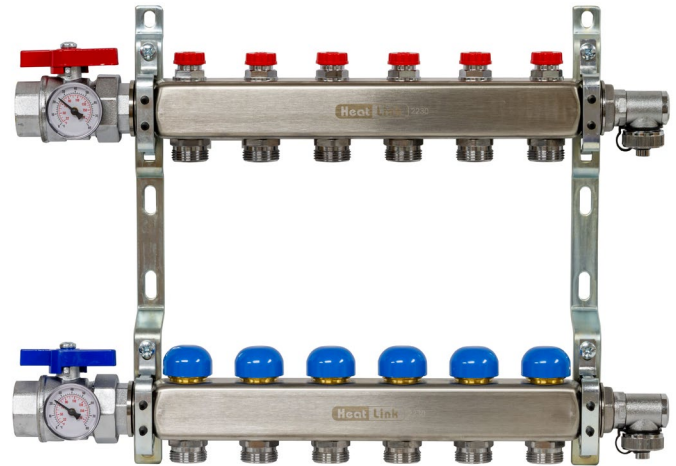
- Preassembled configurations from 2 to 12 loops.
- Integrated 1" FNPT isolation valves and hose bibs.
- Zone valve return with manual shut-off; accepts optional 56201, 56231, or 56121 actuators.
- Balancing supply.
- Maximum trunk flow rate: 18 US gpm (4.1 m³/h)
- Maximum circuit flow rate: 2.5 US gpm (0.57 m³/h)

Typical Applications:

- Commercial.
- Snow melting.



76206 - 6 loop model shown



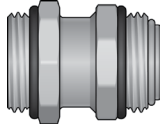
75206 - 6 loop model shown

Specification	Old 76200 Series	New 75200 Series
Maximum operating pressure	100 psi (6.9 bar)	145 psi (10 bar)
Maximum operating temperature	160°F (70°C)	185°F (85°C)
Thermometers	Not included	Included
Hose bib thread	3/4" MNPT	3/4" GHT

Old Stk#	Old Description	New Stk#	New Description
76202	2 Loop 1-1/4" High Flow SS Manifold	75202	2 Loop 1-1/4" High Flow SS Manifold
76203	3 Loop 1-1/4" High Flow SS Manifold	75203	3 Loop 1-1/4" High Flow SS Manifold
76204	4 Loop 1-1/4" High Flow SS Manifold	75204	4 Loop 1-1/4" High Flow SS Manifold
76205	5 Loop 1-1/4" High Flow SS Manifold	75205	5 Loop 1-1/4" High Flow SS Manifold
76206	6 Loop 1-1/4" High Flow SS Manifold	75206	6 Loop 1-1/4" High Flow SS Manifold
76207	7 Loop 1-1/4" High Flow SS Manifold	75207	7 Loop 1-1/4" High Flow SS Manifold
76208	8 Loop 1-1/4" High Flow SS Manifold	75208	8 Loop 1-1/4" High Flow SS Manifold
76209	9 Loop 1-1/4" High Flow SS Manifold	75209	9 Loop 1-1/4" High Flow SS Manifold
76210	10 Loop 1-1/4" High Flow SS Manifold	75210	10 Loop 1-1/4" High Flow SS Manifold
76211	11 Loop 1-1/4" High Flow SS Manifold	75211	11 Loop 1-1/4" High Flow SS Manifold
76212	12 Loop 1-1/4" High Flow SS Manifold	75212	12 Loop 1-1/4" High Flow SS Manifold

Manifold Accessories

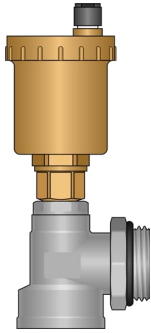
Compatible only with old 76100/76200 series or new 75100/75200 series.



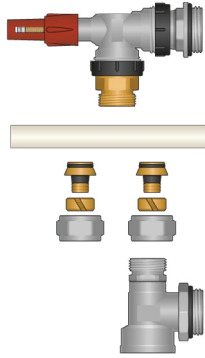
76100



76946



76935



76937



76944



76945

Old Stk#	Old Description	New Stk#	New Description
76100	Coupling for 1-1/4" SS Manifold	76946	Coupling Kit for 1-1/4" SS Manifold
76935	Side Mount Automatic Air Vent Set for 1-1/4" SS Manifold	76944	Side Mount Automatic Air Vent Kit for 1-1/4" SS Manifold
76937	Pressure Bypass Kit for 1-1/4" SS Manifold	76945	Pressure Bypass Kit for 1-1/4" SS Manifold

PEX to Manifold Connecters

Compatible with both old 76100/76200 series and new 75100/75200 series.



77100



77119



77305



EX77305

Stk#	Description
77100	Port Cap for 1-1/4" SS Manifold
77105	1/2" PEX to 1-1/4" SS Manifold Connector
77119	1/2" PEX to 1-1/4" SS Manifold Connector
77120	20mm PEX to 1-1/4" SS Manifold Connector
77122	3/4" PEX to 1-1/4" SS Manifold Connector
77305	1/2" PEX Insert to 1-1/4" SS Manifold Connector
EX77305	1/2" PEX F1960 to 1-1/4" SS Manifold Connector
EX77319	1/2" PEX F1960 to 1-1/4" SS Manifold Connector
EX77322	3/4" PEX F1960 to 1-1/4" SS Manifold Connector